

DA RGBHV Series

Two, Four, or Six Output Wideband RGBHV Distribution Amplifiers



COMMON FEATURES

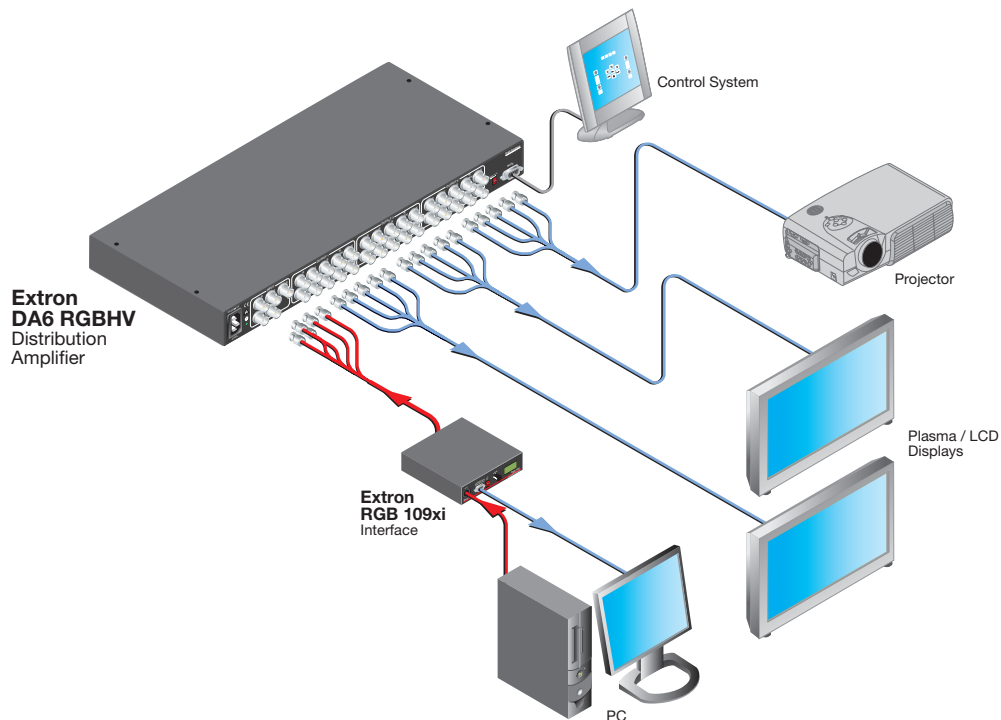
- 350 MHz (-3 dB) RGB bandwidth, fully loaded
- Compatible with RGBHV, RGBS, RGSB, RsGsBs, component video, S-video, and composite video
- Selectable gain and peaking
- Selectable input AC or DC coupling
- Individual output muting control via contact closure
- Internal international power supply

DESCRIPTION

The Extron **DA RGBHV Series** of distribution amplifiers split a signal from a high resolution source and distribute it to multiple outputs, providing amplification and enhancement of the signal to maintain signal quality.

Models in this series include the DA2 RGBHV, DA4 RGBHV, and DA6 RGBHV. Each of these models is rack-mountable and accepts and distributes RGBHV, RGBS, RGSB, RsGsBs, HDTV/component video, S-video, composite video on female BNC connectors.

In addition, the DA RGBHV Series provides DIP switches for adjusting RGB gain and peaking, as well as for selecting input AC or DC coupling. An output muting control offers muting of any one or all outputs when used with a third-party control system. With 350 MHz (-3dB) RGB video bandwidth, fully loaded, the DA RGBHV Series maintains signal integrity over long cable runs from high-resolution PCs and CAD workstations to multiple graphics projectors or display monitors.



Continued →

DA RGBHV Series

DA2 RGBHV

Two Output Wideband RGBHV Distribution Amplifier

UNIQUE FEATURES

- Input: One set of female BNC connectors
- Outputs: Two sets of female BNC connectors
- 1U, half rack width metal enclosure



| MODEL | VERSION DESCRIPTION | PART # |
|-----------|---------------------|-----------|
| DA2 RGBHV | 1x2 RGBHV | 60-488-01 |

DA4 RGBHV

Four Output Wideband RGBHV Distribution Amplifier

UNIQUE FEATURES

- Input: One set of female BNC connectors
- Outputs: Four sets of female BNC connectors
- 1U, full rack width metal enclosure
- Includes rack ears, part # 70-077-03



| MODEL | VERSION DESCRIPTION | PART # |
|-----------|---------------------|-----------|
| DA4 RGBHV | 1x4 RGBHV | 60-489-01 |

DA6 RGBHV

Six Output Wideband RGBHV Distribution Amplifier

UNIQUE FEATURES

- Input: One set of female BNC connectors
- Outputs: Six sets of female BNC connectors
- Includes rack ears, part # 70-077-03



| MODEL | VERSION DESCRIPTION | PART # |
|-----------|---------------------|-----------|
| DA6 RGBHV | 1x6 RGBHV | 60-490-01 |

DA RGBHV Series Accessories

| INCLUDED ACCESSORIES | MODEL DESCRIPTION | PAGE | PART # |
|--------------------------------------|---|----------|-----------|
| For DA4 RGBHV & DA6 RGBHV | | | |
| MBD 149 | 1U, Full Rack Width, Rack Mount and Through-Desk Kit for Four-Piece Enclosure ... | page 817 | 70-077-03 |
| OPTIONAL ACCESSORIES | MODEL DESCRIPTION | PAGE | PART # |
| For DA2 RGBHV only | | | |
| RSU 129 | 1U 9.5" Deep Universal Rack Shelf Kit | page 819 | 60-190-01 |
| MBU 129 | 1U, 1/2 Rack Width Under-Desk Mount Kit for Four-Piece Enclosure | page 816 | 70-219-01 |

Continued →

DA RGBHV Series

SPECIFICATIONS

VIDEO

| | |
|--------------------------|---|
| Gain | Unity (0 dB), or (1.1 dB) 110%, switch-selectable (When input = 0.7 V, output = 0.7 V or 0.8 V, respectively.) |
| Peaking | 0 dB or +6 dB at 100 MHz, switch-selectable |
| Bandwidth | 350 MHz (-3 dB), fully loaded |
| Differential phase error | <1.0° at 5 MHz |
| Differential gain error | <1.0% at 5 MHz |

VIDEO INPUT

| | |
|-------------------------------|---|
| Number / Signal type | 1 RGBHV, RGBS, RGSB, RsGsBs, component video, S-video, composite video |
| Connectors | 5 female BNC |
| Nominal level (at unity gain) | 1 Vp-p for Y of component video and S-video, and for composite video 0.7 Vp-p for RGB 0.3 Vp-p for R-Y and B-Y of component video, and for C of S-video |
| Minimum / Maximum levels | Analog: 0.3 V to 1.5 Vp-p with no offset at unity gain |
| Impedance | 75 ohms |
| Horizontal frequency | 15 kHz to 180 kHz |
| Vertical frequency | 15 Hz to 170 Hz |
| Return loss | <-38 dB @ 5 MHz |
| DC offset (max. allowable) | 5.0 V (in AC coupling mode) |
| Input coupling | AC/DC, switch-selectable |

VIDEO OUTPUT

| | |
|--------------------------|---|
| Number / Signal type | 2, 4, or 6 RGBHV, RGBS, RGSB, RsGsBs, component video, S-video, composite video (follows input type) |
| Connectors | (2, 4, or 6) x 5 BNC female |
| Nominal level | 1 Vp-p for Y of component video and S-video, and for composite video 0.7 Vp-p for RGB 0.3 Vp-p for R-Y and B-Y of component video, and for C of S-video |
| Minimum / Maximum levels | 0.3 Vp-p to 1.5 Vp-p (follows input) |
| Impedance | 75 ohms |
| Return loss | <-44 dB @ 5 MHz |
| DC offset | ±5 mV with input at 0 offset |

SYNC

| | |
|------------------------|--------------------------------------|
| Input / Output type | RGBHV, RGBS, RGSB, RsGsBs |
| Input level | Analog or TTL: 0.5 V to 5 Vp-p |
| Output level | TTL: 5 Vp-p, unterminated |
| Input impedance | 510 ohms |
| Output impedance | 75 ohms |
| Max. input voltage | 5.0 Vp-p |
| Max. propagation delay | 35 ns |
| Max. Rise / Fall time | 4 ns |
| Polarity | Positive or negative (follows input) |

CONTROL / REMOTE – DISTRIBUTION AMPLIFIER

| | |
|------------------------------------|---|
| Contact closure | (1) 9-pin female D connector |
| Contact closure pin configurations | Pin 1 = mute output #1, pin 2 = mute all outputs, pin 3 = reserved, pin 4 = mute output #2, pin 5 = GND, pin 6 = mute output #3, pin 7 = mute output #4, pin 8 = mute output #5, pin 9 = mute output #6 |

GENERAL

| | |
|-------------------------|--|
| Power | 100 VAC to 240 VAC, 50/60 Hz, 10 watts, internal, universal |
| Temperature / Humidity | Storage: -40 to +158 °F (-40 to +70 °C) / 10% to 90%, noncondensing Operating: +32 to +122 °F (0 to +50 °C) / 10% to 90%, noncondensing |
| Rack mount | |
| DA2 RGBHV | Yes, with optional 1U rack shelf, part #60-190-01 |
| DA4 RGBHV and DA6 RGBHV | Yes, with included brackets |
| Enclosure type | Metal |
| Enclosure dimensions | |
| DA2 RGBHV | 1.7" H x 8.7" W x 9.4" D (1U high, half rack wide) 4.3 cm H x 22.1 cm W x 23.9 cm D |
| DA4 RGBHV and DA6 RGBHV | 1.75" H x 17.5" W x 8.5" D (1U high, full rack wide) 4.4 cm H x 44.4 cm W x 21.6 cm D (Depth excludes connectors.) |
| Product weight | |
| DA2 RGBHV | 2.0 lbs (0.9 kg) |
| DA4 RGBHV | 3.7 lbs (1.7 kg) |
| DA6 RGBHV | 3.9 lbs (1.8 kg) |
| Shipping weight | |
| DA2 RGBHV | 4 lbs (2 kg) |
| DA4 RGBHV and DA6 RGBHV | 7 lbs (4 kg) |
| Vibration | ISTA 1A in carton (International Safe Transit Association) |
| Listings | UL, CUL |
| Compliances | CE, FCC Class A, VCCI, AS/NZS, ICES |
| MTBF | 30,000 hours |
| Warranty | 3 years parts and labor |

NOTE: All nominal levels are at ±10%. Specifications are subject to change without notice.